

## Technical Data Sheet (TDS)

**Scoop** v1.0

### 1. Product Identification

**Product** Measuring scoops - clear - 15 ml

**Product Code** 524

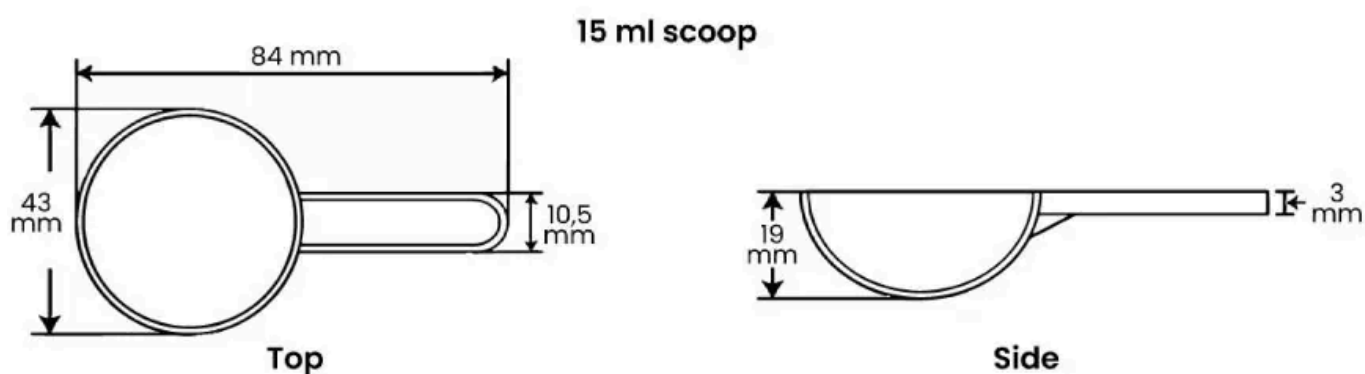
**Country of origin** India

**Distributor** Reclosable Packaging B.V. (PouchDirect), The Netherlands

**Declaration of Conformity** Available per invoice



### 2. Physical Properties



<b>Material:</b>	Polypropylene (PP)
<b>Volume:</b>	15 ml
<b>Weight:</b>	3 kg Weight per 1,000 units (sales unit)
<b>Colour:</b>	Clear

### 3. Technical specification

<b>Recommended sterilisation temperature (Autoclave):</b>	121°C
<b>Max usage temperature (non food contact):</b>	100°C
<b>Max. cleaning temperature (Dishwasher):</b>	93°C
<b>Min. usage temperature:</b>	-20°C
<b>Max usage temperature (food contact):</b>	100°C
<b>Max. pH-value in Usage Concentration:</b>	10.5 pH
<b>Min. pH-value in usage concentration:</b>	2 pH

## 4. Food Safety & Regulatory Compliance

---

This product is suitable for direct food contact, subject to the intended conditions of use.

Manufactured in compliance with:

- EU Regulation (EC) No. 1935/2004, Framework Regulation on food contact materials
- Commission Regulation (EU) No. 10/2011 on plastic food contact materials, as amended
- Commission Regulation (EC) No. 2023/2006 on Good Manufacturing Practice

The product is made from PP plastic and does not contain recycled plastic. Regulation (EU) 2022/1616 on recycled plastic food contact materials is therefore not applicable.

The product complies with applicable REACH requirements under Regulation (EC) No. 1907/2006

This material is Halal compliant.

## 5. Recyclability & Sustainability

---

<b>Recyclability status</b>	Recyclable
<b>Recycling code</b>	Code 5 (PP)
<b>Collection stream</b>	Place in plastic packaging waste collection (recyclable — PP stream, Code 5)
<b>RecyClass assessment</b>	Indicative assessment based on RecyClass Design for Recycling Guidelines v3.1 (2025). No formal RecyClass certification. See <a href="https://recyclclass.eu">recyclclass.eu</a> for current status
<b>CO<sub>2</sub> footprint</b>	5.1 g CO <sub>2</sub> e per unit (indicative - based on material weight x published LCA factor)

## 6. Additional Information

---

<b>Intended use</b>	Food contact: YES
<b>Storage</b>	Store in a cool, dry place away from direct sunlight and heat sources
<b>Shelf life</b>	Minimum 60 months from date of delivery, when stored under recommended conditions
<b>Transport</b>	Protect from moisture, UV exposure, and mechanical damage during transport

