

1. Product Identification

Product Measuring scoops - clear - 100 ml

Product Code 531

Country of origin India

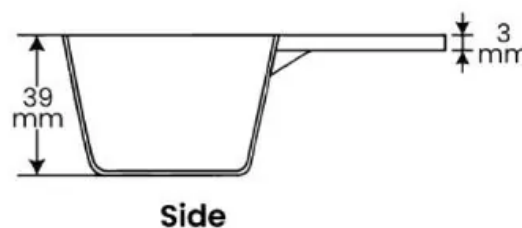
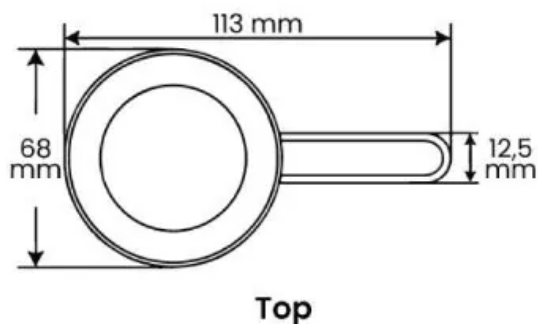
Distributor Reclosable Packaging B.V. (PouchDirect), The Netherlands

Declaration of Conformity Available per invoice



2. Physical Properties

100 ml scoop



Material:	Polypropylene (PP)
Volume:	100 ml
Weight:	11.8 kg Weight per 1,000 units (sales unit)
Colour:	Clear

3. Technical specification

Recommended sterilisation temperature (Autoclave):	121°C
Max usage temperature (non food contact):	100°C
Max. cleaning temperature (Dishwasher):	93°C
Min. usage temperature:	-20°C
Max usage temperature (food contact):	100°C
Max. pH-value in Usage Concentration:	10.5 pH
Min. pH-value in usage concentration:	2 pH

4. Food Safety & Regulatory Compliance

This product is suitable for direct food contact, subject to the intended conditions of use.

Manufactured in compliance with:

- EU Regulation (EC) No. 1935/2004, Framework Regulation on food contact materials
- Commission Regulation (EU) No. 10/2011 on plastic food contact materials, as amended
- Commission Regulation (EC) No. 2023/2006 on Good Manufacturing Practice

The product is made from PP plastic and does not contain recycled plastic. Regulation (EU) 2022/1616 on recycled plastic food contact materials is therefore not applicable.

The product complies with applicable REACH requirements under Regulation (EC) No. 1907/2006

This material is Halal compliant.

5. Recyclability & Sustainability

Recyclability status	Recyclable
Recycling code	Code 5 (PP)
Collection stream	Place in plastic packaging waste collection (recyclable — PP stream, Code 5)
RecyClass assessment	Indicative assessment based on RecyClass Design for Recycling Guidelines v3.1 (2025). No formal RecyClass certification. See recyclclass.eu for current status
CO₂ footprint	20.06 g CO ₂ e per unit (indicative - based on material weight x published LCA factor)

6. Additional Information

Intended use	Food contact: YES
Storage	Store in a cool, dry place away from direct sunlight and heat sources
Shelf life	Minimum 60 months from date of delivery, when stored under recommended conditions
Transport	Protect from moisture, UV exposure, and mechanical damage during transport

